



ZoneFlex 7441 Dual Band 802.11n DAS Access Point

Quick Setup Guide

This *Quick Setup Guide* provides step-by-step instructions on how to set up your Ruckus Wireless ZoneFlex Access Point. After completing the steps described in this Guide, you will be able to place the Access Point (AP) at your site and provide wireless network access to users.

BEFORE YOU BEGIN

Before deploying Ruckus Wireless products, please check for the latest software and the release documentation.

- User Guides and Release Notes are available at <http://support.ruckuswireless.com/documents>.
- Software Upgrades are available at <http://support.ruckuswireless.com/software>.
- Open Source information is available at <http://opensource.ruckuswireless.com>.
- Software License and Limited Warranty available at <http://support.ruckuswireless.com/warranty>.

PACKAGE CONTENTS

- ZoneFlex 7441 Access Point
- ZoneFlex 7441 Installation Guide
- Mounting Brackets
- Mounting accessory bag (DIN rail clip, 4 screws for mounting ears, terminal ring for ground wire)
- Regulatory flyer
- Declaration of Conformity (country-dependent)
- Product Warranty Statement
- This *Quick Setup Guide*

SETUP REQUIREMENTS

- A computer running Windows 7 (procedures for other OS's are similar)
- One or more of the following:
 - A modem (DSL or cable), broadband router, or other device provided by your Internet Service Provider that brings Internet access to your site.
 - A network switch or a DSL/Internet gateway device.

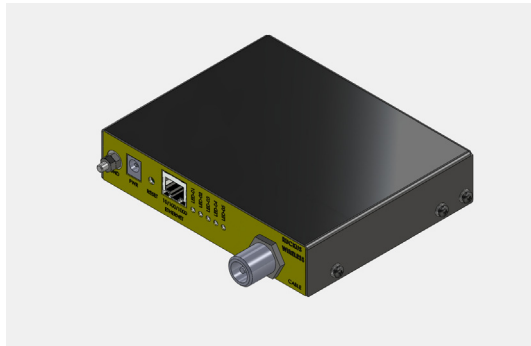
- An Ethernet cable (Cat5e or better for PoE in)
- An AC power adapter (sold separately), or
- An 802.3af or 802.3at -compliant Power over Ethernet (PoE) switch or PoE injector, or
- AC/DC adapter 12V 1.5A (Ruckus part #902-0169-xx00, or equivalent)

IMPORTANT!

If the AP is deployed with a ZoneDirector, follow the *ZoneDirector Quick Setup Guide*, and connect the AP to your local network.

STEP 1: CONNECT THE AP TO YOUR COMPUTER

Figure 1. ZoneFlex 7441 DAS Access Point



- 1 After removing your Ruckus Wireless AP from its package, place it next to your computer.
- 2 Using an Ethernet cable, connect your computer's network port to the 10/100/1000 port on the AP.
- 3 Using the AC adapter (sold separately), connect the AP to a convenient (and protected) power source.
 - Alternatively, connect the 10/100/1000 port to a PoE injector or PoE switch for both power and network connectivity.
- 4 Verify that the Power LED on the external enclosure is a steady green.

STEP 2: PREPARE YOUR COMPUTER FOR AP SETUP

NOTE:

The following procedures assume Windows 7 as the operating system. Procedures for other OS's are similar.

- 1 On your Windows 7 computer, configure your network adapter from the *Local Area Connection* settings as follows:
 - **Start > Control Panel > Network and Sharing Center > Change Adapter Settings**
- 2 Edit the TCP/IPv4 address settings as follows:

- **Local Area Connection > Properties > Internet Protocol Version 4 (TCP/IPv4) > Properties**

The *TCP/IPv4 Properties* dialog box appears.

IMPORTANT!

Write down all of the currently active settings so you can restore your computer to its current configuration later (when this process is complete).

- 3 Select **Use the following IP address** (if it is not already selected) and then make the following entries:
 - **IP address:** 192.168.0.22 (or any address in the 192.168.0.x network)
 - **Subnet mask:** 255.255.255.0
 - **Default gateway:** 192.168.0.1
 Leave the **DNS server** fields empty.
- 4 Click **OK** to save your changes. Your changes are put into effect immediately.

STEP 3: LOG INTO THE AP

As specified earlier, the AP should be directly connected to your computer (through the Ethernet port) and powered on, ready for setup.

- 1 On your computer, open a Web browser window.
- 2 In the browser, type this URL to connect to the AP:

<https://192.168.0.1>
- 3 Press <Enter> to initiate the connection. When a security alert dialog box appears, click **OK/Yes** to proceed.
- 4 When the *Ruckus Wireless Admin* login page appears, enter the following:
 - **Username:** super
 - **Password:** sp-admin
- 5 Click **Login**.

Default AP Settings (For Your Reference)

| | |
|-------------------------------|--------------------------------------|
| Network Names (SSIDs) | Wireless1—Wireless8 |
| Security (Encryption method) | Disabled for each wireless interface |
| Default Management IP Address | 192.168.0.1 |

STEP 4: CUSTOMIZE THE WIRELESS SETTINGS

- 1 On the Web interface menu, click **Configuration > Wireless**. The Configure :: Wireless :: Common options appear.
- 2 Verify that the following options are active:
 - **Channel:** SmartSelect
 - **Country Code:** If you are not located in the United States, select your current country.
- 3 Click **Update Settings** if you made any changes.
- 4 Click any of the eight "Wireless #" tabs at the top of the page.
- 5 In *Wireless Availability*, click **Enabled**.
- 6 Delete the text in the **SSID** field, and then type a name for your network that will help your users identify the AP in their wireless network connection application.
- 7 Click **Update Settings** to save your changes.
- 8 Repeat Steps 4-7 for each Wireless # interface that you want to enable.
- 9 Click **Logout** to exit the Web interface.

STEP 5: PLACE THE AP IN YOUR SITE

- 1 Move the AP to its permanent location (accessible to both AC power and network connection).
- 2 Use an Ethernet cable to connect the 10/100/1000 port of the AP to your network.

NOTE:

If you will be using PoE, you will need a Cat5e (or better) Ethernet cable to connect the AP to the PoE injector or switch.

- 3 Connect the AC power adapter (or PoE power supply) to the AP, then to a convenient power source.
- 4 Verify that the 10/100/1000 port LED is lit.

Congratulations! Your wireless network is active and ready for use.

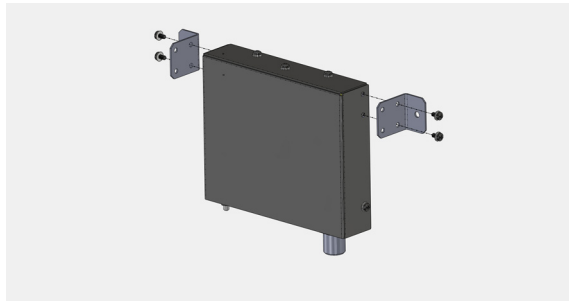
(OPTIONAL) MOUNTING INSTRUCTIONS

The ZoneFlex 7441 mounting options include desktop, wall mounting (flat), wall mounting (horizontal), and DIN rail mounting.

Wall Mounting (Flat)

- 1 Attach the wall mounting brackets to the ZoneFlex 7441 as shown in [Figure 2](#).

Figure 2. Flat wall mount

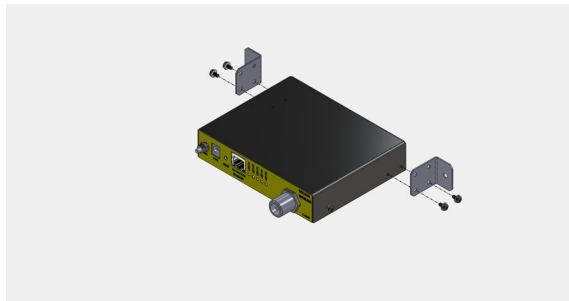


- 2 Place the AP on the wall and mark the locations for screw holes.
- 3 Drill screw holes, place the AP onto the wall and insert screws.

Wall Mounting (Horizontal)

The ZoneFlex 7441 can be mounted to a wall horizontally as shown in [Figure 3](#).

Figure 3. Horizontal wall mount



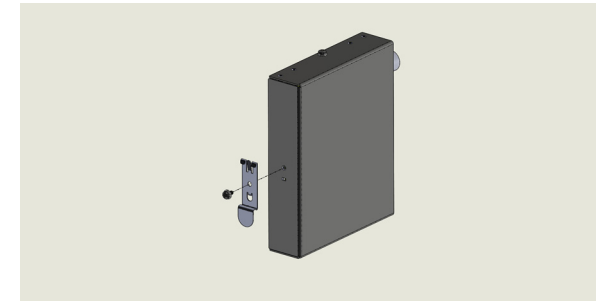
- 1 Attach the brackets to the AP as shown in [Figure 3](#).
- 2 Place the AP on the wall and mark the locations for screw holes.
- 3 Drill screw holes, place the AP onto the wall and insert screws.

DIN Rail Mounting

Use the DIN rail clip on the rear of the AP to connect mount to a DIN rail.

- 1 Remove the screw on the housing back wall and use to attach the DIN rail clip to the rear of the AP as shown in [Figure 4](#). The clip has a tab to prevent rotation which fits into the corresponding slot in the housing.

Figure 4. DIN rail clip



- 2 Mount the AP to the DIN rail as shown in [Figure 5](#).

Figure 5. DIN rail mounting



Grounding the Access Point

- 1 Attach ground wire to the AP using the included terminal ring and two hex nuts as shown in [Figure 6](#). The terminal ring can accommodate wire sizes ranging from 16 to 25 gauge.

Figure 6. Grounding the AP



DIN Rail Removal

A large, flat screwdriver inserted from the bottom of the product can be used to pry the clip off the rail.